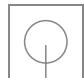




melogranoblu

LIGHTING CATALOGUE

# LEGEND

	CLEAR GLASS
	FROSTED GLASS
	RULED CLEAR GLASS
	RULED FROSTED GLASS
	METALLIZED GLASS
	METALLIZED RULED GLASS
	INNER LIGHT
	REFLECTED LIGHT
	SUSPENSION LAMP
	WALL LAMP
	TABLE LAMP
	FLOOR LAMP

# INDEX

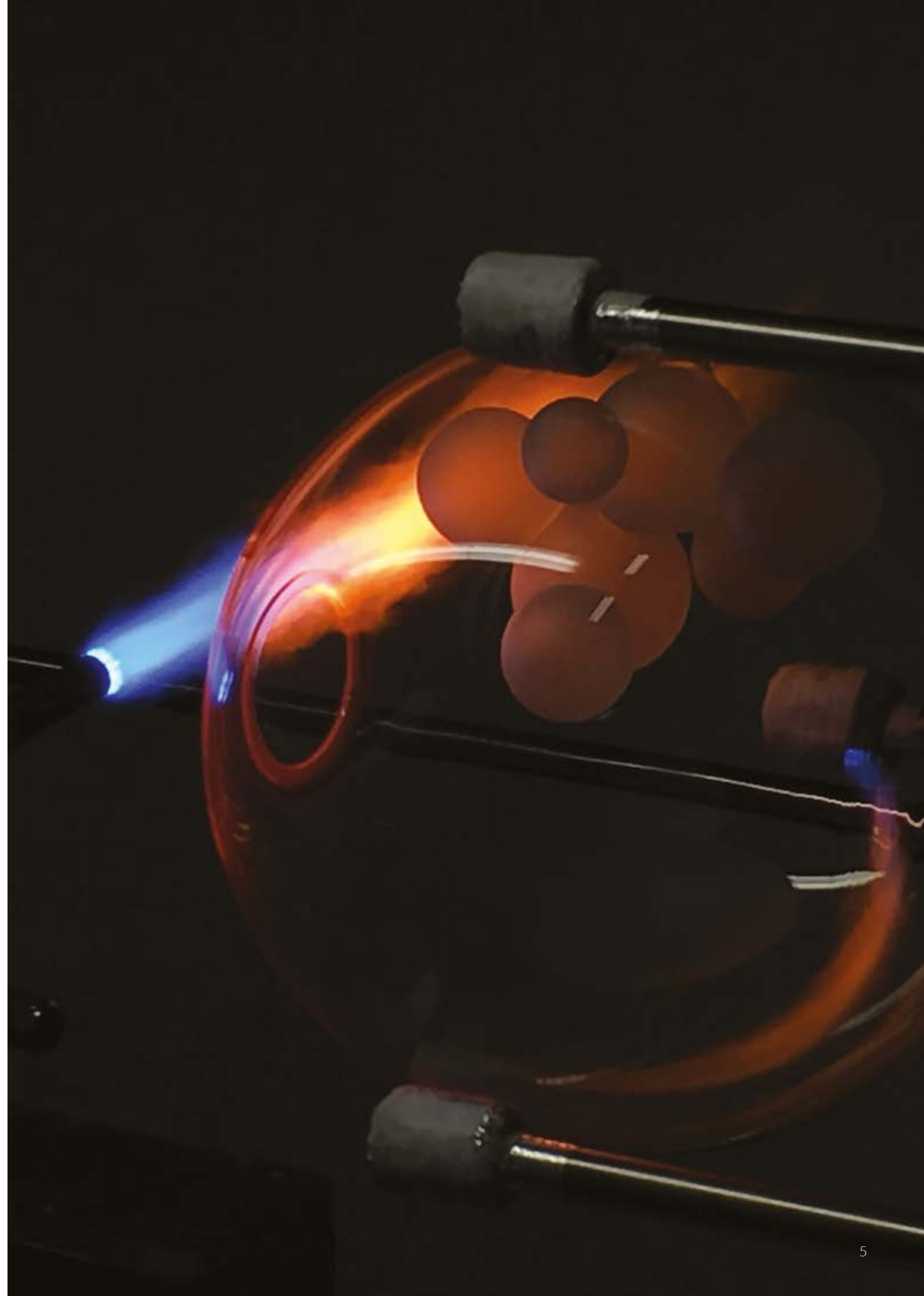
SOAP	9	API - MAAT - BES	61
SOAP SPHERE	10	API   SUSPENSION	62
SOAP DOME   TABLE	12	MAAT   SUSPENSION	64
SOAP DOME   SUSPENSION	14	BES   SUSPENSION	66
		MAAT   TABLE	69
SERENDIPITY	16	BES   TABLE	70
SERENDIPITY   SUSPENSION	16		
SERENDIPITY   TABLE	18	GOTHAM	73
RAPA NUI	20	DIAPASON	77
		DIAPASON A   CHANDELIER	78
OPIUM	22	DIAPASON A   WALL	80
		DIAPASON B   SUSPENSION	82
GHANTA	25	DIAPASON C   SUSPENSION	84
GHANTA (BROWN)	26	DIAPASON C   WALL	86
GHANTA (CLEAR)	28		
		OPERA	89
ARTUSI	31	TURANDOT	90
ARTUSI #01, #02, #03	32	CARMEN	91
		DROP	92
GALUCHAT	35	POSEIDON EGG	93
GALUCHAT   TABLE	36	POSEIDON GLOBE	94
GALUCHAT   SUSPENSION	38	ZUCCA	95
		BAJADERE	96
BARTOLOMEO	41	CALAF	97
BARTOLOMEO   SUSPENSION	42	NINIVE	98
BARTOLOMEO   TABLE	44	TIMUR	99
		LIU "A"	100
AU	47	LIU "B"	101
AU   SUSPENSION	47	LIU "C"	102
AU   TABLE	48	MOON	103
PERFUME	51	ACCESSORIES	104
PERFUME EGG	52	TASSELS AND CABLES	105
PERFUME PINECONE	54		
PERFUME SPHERE	56		
PERFUME SPEAR	58		

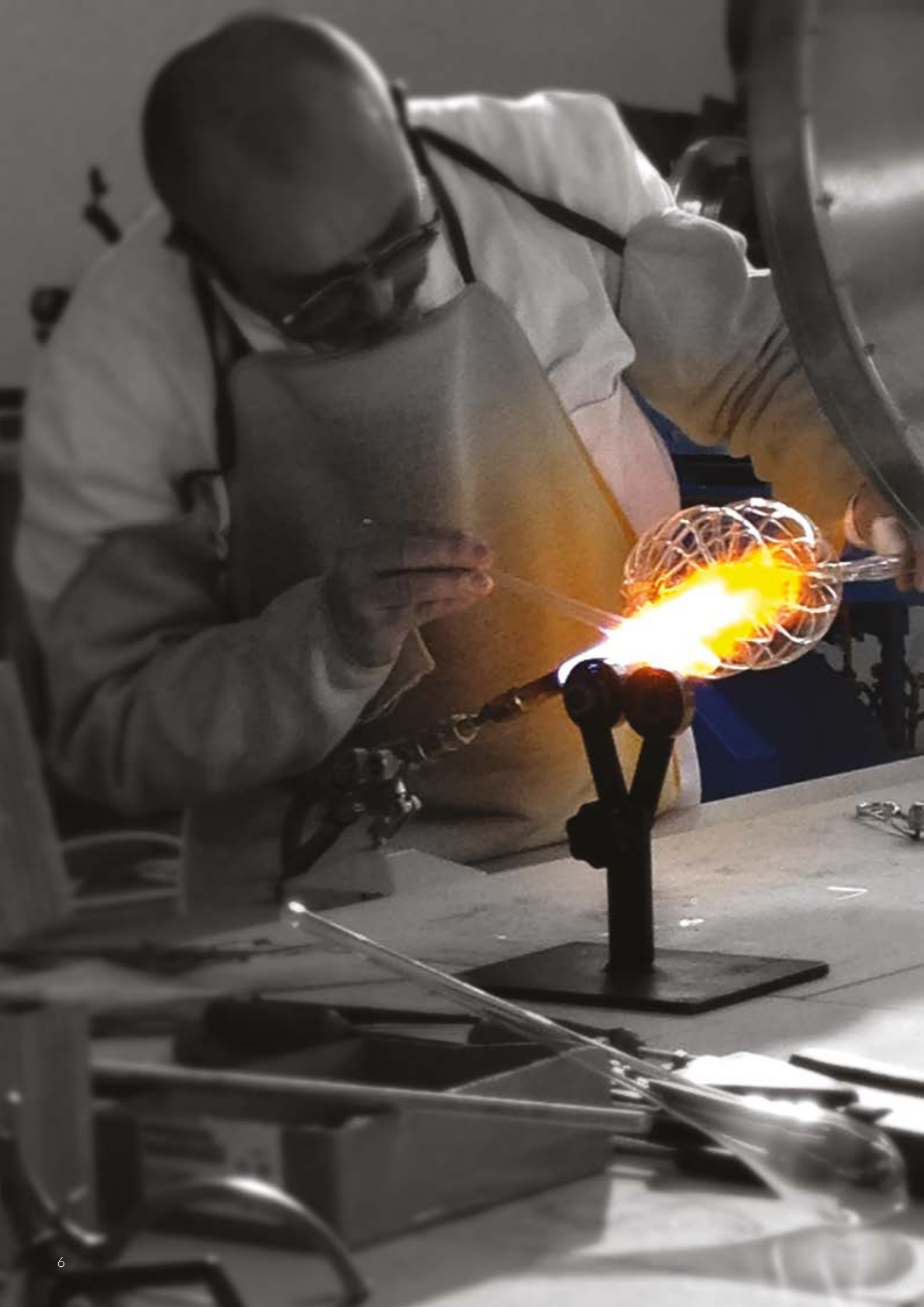
## THE FACTORY OF EMOTIONS

CONCEIVED AND FOUNDED IN 1997 BY ERMANNOCCHI AND MASSIMO CREMA, MELOGRANOBLU IS AN ITALIAN INTERIOR LIGHTING COMPANY. OVER THE YEARS, THE COMPANY HAS DEVELOPED A WIDE RANGE OF SOLUTIONS FOR INTERIOR LIGHTING DESIGN, SUITABLE FOR HOMES OR OFFERING MORE IMPRESSIVE INSTALLATIONS FOR LARGE ARCHITECTURAL SETTINGS.

MELOGRANOBLU CREATIONS ARE VERITABLE SPECTACLES OF LIGHT, FOCUSING ON THE SENSORY AND EMOTIONAL EFFECT OF LIGHT THROUGH GLASS.

DESIGN PROJECTS IN WHICH ALL FORMS OF GLASS ARE CONCEIVED AND DESIGNED ACCORDING TO THE EFFECTS THEY CAN GENERATE THROUGH LIGHT.





## CRAFTED PRODUCTION AND INDUSTRIAL ORGANISATION

ALL MELOGRANOBLU DESIGNS ARE CONCEIVED, DEVELOPED, ENGINEERED AND PRODUCED IN THE COMPANY. A STRUCTURE ORGANISED TO MANAGE AND GUARANTEE "MADE IN ITALY" QUALITY THROUGHOUT THE ENTIRE PRODUCTION PROCESS.

UNIQUE PIECES, THE SAME YET DIFFERENT SINCE THEY ARE MADE WITH PASSION BY SKILLED HANDS THAT CREATE ARTWORKS FROM GLASS.





## SOAP

TRANSPARENCY IN TRANSPARENCY. SOAP COLLECTION PLAYS WITH THE REVELATORY POWER OF LIGHT. THE GLASS SCULPTURE INSIDE IS REVEALED ONLY WHEN THE LIGHT SOURCE, AS IF BY MAGIC, MAKES THE EXTERNAL MİRRORED ELEMENT TRANSPARENT, CREATING A SUBLIME AND FASCINATING GAME OF APPEARANCES. THE ENERGY RELEASED FROM THE INSIDE IS A MARRIAGE OF TECHNIQUE AND GENIUS.

# SOAP SPHERE



## SUSPENSION LAMP

METALLIZED HAND-BLOWN GLASS SPHERE  
INNER FROSTED BUBBLE SCULPTURE.

---

Glass dimension  $\varnothing$  30 cm.  
Light source 8 watt, 24 Vdc LED module - 2800 K (melgranoblu patent), driver included.  
Metal parts in brushed brass / black nickel.  
Electric cable 2,00 mt. length coated metallic mesh Titanium T08.



# SOAP DOME

## TABLE LAMP

TRANSPARENT HAND-BLOWN GLASS DOME, INNER TRANSPARENT BUBBLE SCULPTURE  
OR METALLIZED HAND-BLOWN GLASS DOME, INNER FROSTED BUBBLE SCULPTURE.

Glass dimension h. 30 - ø 30 cm.

Light source 8 watt, 24 Vdc LED module - 2800 K (melogranoblu patent) dimmer control.

Metal parts in brushed brass / black nickel.

Electric cable 2,50 mt. length coated metallic mesh Titanium T08.



# SOAP DOME

## SUSPENSION LAMP

METALLIZED HAND-BLOWN GLASS DOME,  
INNER FROSTED BUBBLE SCULPTURE.

---

Glass dimension  $\varnothing$  30 cm.  
Light source 8 watt, 24 Vdc LED module - 2800 K (melgranoblu patent), driver included.  
Metal parts in brushed brass / black nickel.  
Electric cable 2,00 mt. length coated metallic mesh Titanium T08.





# SERENDIPITY

ORGANIC, NATURAL AND PRIMORDIAL SHAPES CHARACTERIZE SERENDIPITY. FROSTED GLASS SINGLE UNIT, WHOSE SOFT SHAPE REFLECT THE BEAUTIFUL IMPERFECTION OF NATURE.

SUSPENSION LAMP

FROSTED HAND-BLOWN GLASS.

---

Glass dimension h. 55 - ø 18 cm.  
Light source 4 x 2,5W LED 2800k.  
Electric cable 2,00 mt. length coated metallic mesh Copper T00.



# SERENDIPITY

TABLE LAMP

FROSTED HAND-BLOWN GLASS.

Glass dimension h. 55 - ø 18 cm.

Light source 4 x 2,5W LED 2800k dimmer control.

Electric cable 2,00 mt. length coated metallic mesh Copper T00.



# RAPA NUI

THINK ABOUT PRIMORDIAL STATUES, BUT IT IS LIGHT GLASS INDEED.  
A TABLE LAMP WITH GOLD AND STEEL FINISHES AND MIRRORED  
EFFECTS MIXED WITH A STRONG DESIGN. A TRIUMPH OF SOLIDITY  
WITH THE TOUCH OF LIGHTNESS OF HAND-BLOWN GLASS.

## TABLE LAMP

METALLIZED SILVER OR GOLD HAND-BLOWN GLASS.

---

SMALL\_Metallized gold hand-blown glass. Dimension h. 15 - ø 18 cm.  
Light source 1 x 2,5W LED 2800k dimmer control.  
Metallic varnished base. Electric cable 2,00 mt. length coated metallic mesh Black T21.

LARGE\_Metallized silver hand-blown glass. Dimension h. 24 - ø 18 cm.  
Light source 3 x 2,5W LED 2800k dimmer control.  
Metallic varnished base. Electric cable 2,00 mt. length coated metallic mesh Black T21.



# OPIUM

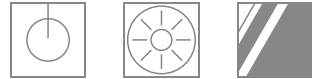
FROM NATURE, THIS IS A PORTRAIT OF REALITY. THIS SUSPENDED LAMP MADE WITH GOLD METALLIZED HAND-BLOWN GLASS, WHOSE SHAPE LOOKS LIKE A POPPY CAPSULE, IS THE PICTURE OF NATURAL BEAUTY.



SUSPENSION LAMP

GOLD METALLIZED HAND-BLOWN GLASS.

Glass dimension h. 19 - ø 20 cm.  
Light source 1xG9 LED, max 6 watt.  
Electric cable 2,00 mt. length coated metallic mesh Brown T20.







## GHANTA

SUSPENSION LAMP IN BROWN METALLIC GLASS WITH WHITE FROSTED OR GOLD LEAF PENDANT. ITS SHAPE EVOKES THE TYPICAL TIBETAN RITUAL BELLS. IT IS ALSO AVAILABLE IN TRANSPARENT GLASS BELL WITH FROSTED PENDANT VERSION.

# GHANTA

## SUSPENSION LAMP

BROWN METALLIC HAND-BLOWN GLASS DOME  
WITH GLASS PENDANT GOLD LEAF OR FROSTED FINISHING.

Glass dimension  $\varnothing$  19 cm, h. 45 cm.

Light source 7 watt, LED module - 2700 K (melogranoblu patent), driver included.

Metal parts varnished Dark Grey. Electric cable 2 mt. length coated 09 Dark Grey.



# GHANTA

## SUSPENSION LAMP

CLEAR HAND-BLOWN GLASS DOME  
WITH GLASS PENDANT GOLD LEAF OR FROSTED FINISHING.

Glass dimension  $\varnothing$  19 cm, h. 45 cm.

Light source 7 watt, LED module - 2700 K (melogranoblu patent), driver included.

Metal parts varnished Dark Grey. Electric cable 2 mt. length coated 09 Dark Grey.





## ARTUSI

A SUSPENSION LAMP WITH A DOUBLE BELL SHAPE AND A METALLIC COPPER EXTERNAL FINISH THAT RECALLS HAUTE CUISINE EQUIPMENT. INSIDE IT HIDES A SECOND BELL IN WHITE FROSTED RULED GLASS. AVAILABLE IN THREE SIZES, WITH DIFFERENT HEIGHTS AND DIAMETERS.



# ARTUSI

## SUSPENSION LAMP

COPPER METALLIC HAND-BLOWN GLASS DOME  
INNER FROSTED GLASS SHAPE.

Glass dimension:

- 1 ø 13 cm, h. 49 cm.
- 2 ø 18 cm, h. 28 cm.
- 3 ø 25 cm, h. 19 cm.

Light source 1xG9 LED, max 6 watt.

Metal parts varnished Dark Grey, Electric cable 2 mt. length coated 09 Dark Grey.





## GALUCHAT

SUSPENSION AND TABLE LAMP IN TRANSPARENT BLOWN GLASS WITH OPAQUE ANTHRACITE METAL PAINTED FRAME. THE PRECIOUS HANDWORK MADE IT POSSIBLE TO OBTAIN AN IRREGULAR TEXTURE REMINISCENT OF THE MANUFACTURING OF SHARK TANNED LEATHER, ALSO CALLED "GALUCHAT" FROM THE NAME OF ITS FIRST USER, JEAN-CLAUDE GALUCHAT, A FRENCH CRAFTSMAN AT THE SERVICE OF KING LOUIS XV.

# GALUCHAT

TABLE LAMP

CLEAR HAND-BLOWN GLASS SHAPE.

Glass dimension  $\varnothing$  23 cm, h. 36 cm.

Light source 7 watt, LED module - 2700 K (melogranoblu patent), dimmer control.

Metal parts varnished dark grey. Electric cable 2 mt. length coated 09 Dark Grey.



# GALUCHAT



SUSPENSION LAMP

CLEAR HAND-BLOWN GLASS SHAPE.

Glass dimension  $\varnothing$  23 cm, h. 36 cm.

Light source 7 watt, LED module - 2700 K (melogranoblu patent), driver included.

Metal parts varnished Dark Grey. Electric cable 2 mt. length coated 09 Dark Grey.







## BARTOLOMEO

ITS BELL-SHAPED CLEAR BLOWN GLASS WITH THREE FROSTED SPHERES IS A TRIBUTE TO BARTOLOMEO COLLEONI, AN HISTORICAL "CONDOTTIERO" FROM BERGAMO (ITALY) OF THE 1400S. AVAILABLE IN BOTH TABLE AND SUSPENSION VERSIONS.

# BARTOLOMEO



SUSPENSION LAMP

CLEAR HAND-BLOWN GLASS DOME WITH FROSTED SPHERES.

Glass dimension  $\varnothing$  18 cm, h. 33 cm.

Light source 7 watt, LED module - 2700 K (melogranoblu patent), driver included.

Metal parts varnished dark grey. Electric cable 2 mt. length coated 09 Dark Grey.



# BARTOLOMEO

TABLE LAMP

CLEAR HAND-BLOWN GLASS DOME WITH FROSTED SPHERES.

Glass dimension  $\varnothing$  18 cm, h. 33 cm.

Light source 7 watt, LED module - 2700 K (melogranoblu patent), dimmer control.

Metal parts varnished dark grey. Electric cable 2 mt. length coated 09 Dark Grey.





AU

SUSPENSION AND TABLE LAMP MADE OF GOLD METALLIC BLOWN GLASS: A SOFT, HEAVY, DUCTILE AND MALLEABLE METAL WHOSE SYMBOL IS AU, FROM THE LATIN "AURUM".

SUSPENSION LAMP

GOLD METALLIZED HAND-BLOWN GLASS DOME.

Glass dimension  $\varnothing$  18 cm, h. 33 cm.  
Light source 7 watt, LED module - 2700 K (melogranoblu patent) driver included.  
Metal parts varnished Dark Grey. Electric cable 2 mt. length coated 09 Dark Grey.



AU

TABLE LAMP

GOLD METALLIZED HAND-BLOWN GLASS DOME.

Glass dimension  $\varnothing$  18 cm, h. 33 cm.

Light source 7 watt, LED module - 2700 K (melgranoblu patent) dimmer control.

Metal parts varnished Dark Grey. Electric cable 2 mt. length coated 09 Dark Grey.



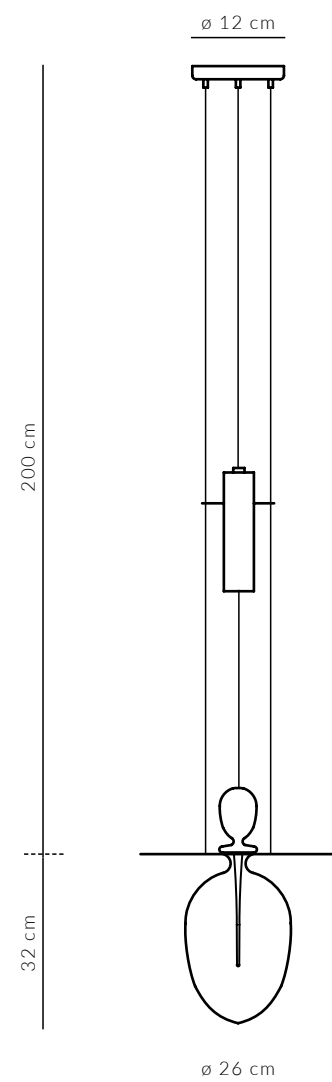




## PERFUME

PENDANT LAMPS THAT TRANSCEND THEIR LIGHTING FUNCTION TO AROUSE EMOTION, GENERATED BY A SPECTACLE OF LIGHTS AND REFLECTIONS. PURE GLASS SHAPES, ESSENTIAL STYLE. POETRY OF LIGHT THAT GAINS EXPRESSION IN A SIMPLE, LINEAR DESIGN. CRAFTED PRODUCTION WHOSE IDENTITY LIES ON THE BORDER BETWEEN DESIGN AND APPLIED ART.

# PERFUME EGG



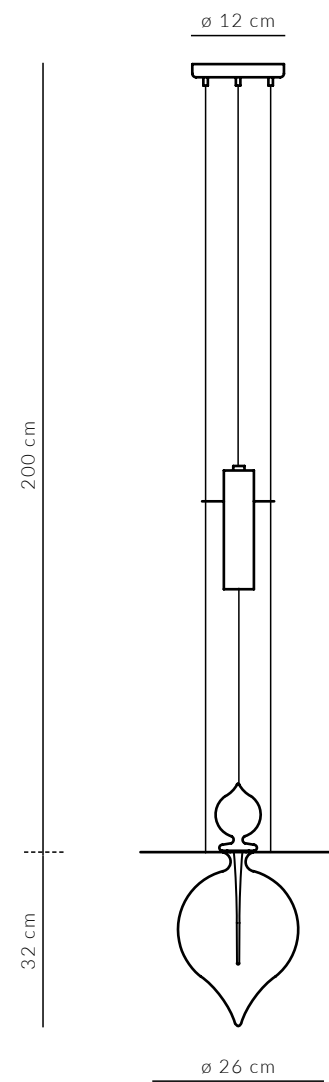
## SUSPENSION LAMP

TRANSPARENT HAND-BLOWN GLASS EGG SHAPE.

Glass dimension h. 32 -  $\varnothing$  26 cm, light source 3W LED 2800k. Metal parts in anodised aluminium. Complete with decorative glass cap available in transparent, frosted, platinum and gold finishing.



# PERFUME PINECONE



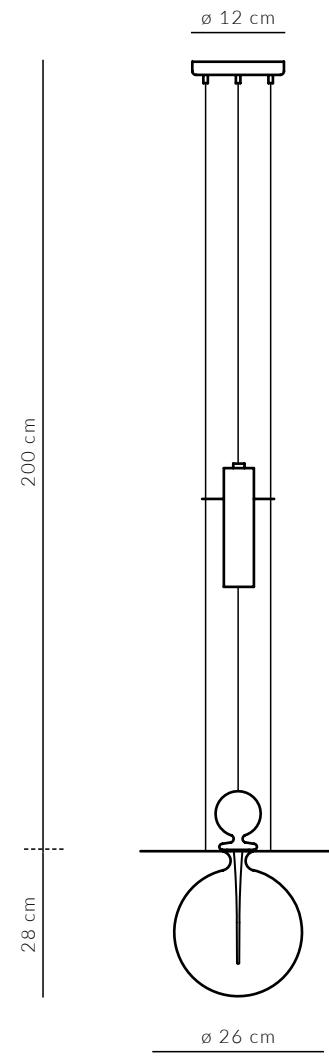
## SUSPENSION LAMP

TRANSPARENT HAND-BLOWN GLASS PINECONE SHAPE.

Glass dimension h. 32 -  $\varnothing$  26 cm, light source 3W LED 2800k. Metal parts in anodised aluminium. Complete with decorative glass cap available in transparent, frosted, platinum and gold finishing.



# PERFUME SPHERE



## SUSPENSION LAMP

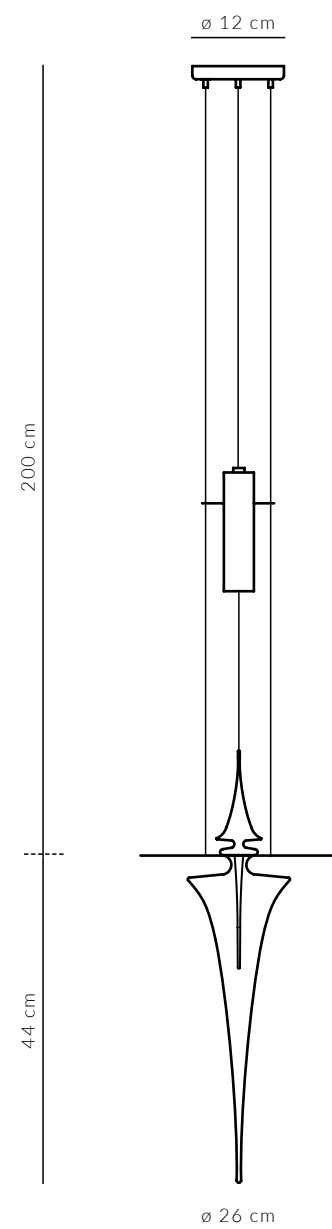
TRANSPARENT HAND-BLOWN GLASS SPHERE SHAPE.

Glass dimension h. 28 -  $\varnothing$  26 cm, light source 3W LED 2800k. Metal parts in anodised aluminium. Complete with decorative glass cap available in transparent, frosted, platinum and gold finishing.





# PERFUME SPEAR



## SUSPENSION LAMP

TRANSPARENT HAND-BLOWN GLASS SPEAR SHAPE.

Glass dimension h. 44 -  $\varnothing$  26 cm, light source 3W LED 2800k. Metal parts in anodised aluminium. Complete with decorative glass cap available in transparent, frosted, platinum and gold finishing.





## API - MAAT - BES

THE SUSPENSION LAMPS THAT BEAR THE NAME OF ANCIENT DIVINITIES ARE MADE OF BLOWN GLASS CHARACTERIZED BY THIN LINES THAT CREATE A PLEATED EFFECT. IN EMERALD, SAPPHIRE, AMETHYST OR WHITE FROSTED COLORS, THEY ARE ALSO AVAILABLE IN TABLE VERSION.

API



Version with E27 socket

SUSPENSION LAMP

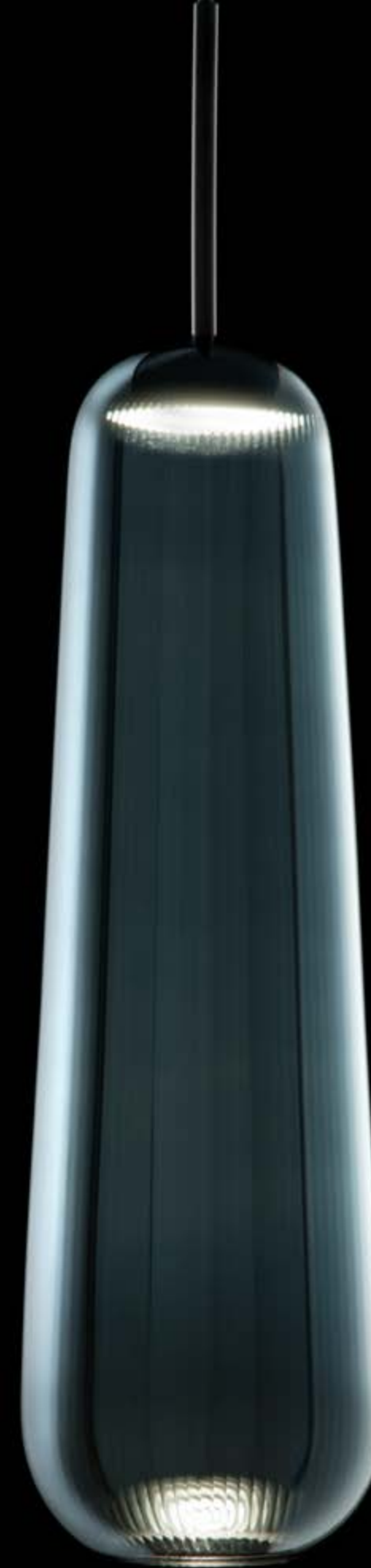
SAPPHIRE BLUE OR FROSTED  
HAND-BLOWN RULED GLASS SHAPE.

Glass dimension  $\varnothing$  14,5 cm, h . 49 cm.

Light source available:

- max 12 watt , 220 V LED (E27 socket).
- 7 watt , 24 Vdc LED module - 2700 K (melogranoblu patent)

Metal parts varnished Dark Grey. Electric cable 2 mt. length coated 09 Dark Grey.



Version with LED module

# MAAT



Version with E27 socket

## SUSPENSION LAMP

EMERALD GREEN OR FROSTED  
HAND-BLOWN GLASS SHAPE.

Glass dimension  $\varnothing$  23 cm, h. 36 cm.

Light sources available:

- max 12 watt , 220 V LED (E27 socket).
- 7 watt , LED module - 2700 K (melogranoblu patent).

Metal parts varnished dark grey. Electric cable 2 mt. length coated 09 Dark Grey.



Version with LED module





Version with E27 socket



Version with LED module

## BES

SUSPENSION LAMP

PURPLE AMETHYST OR FROSTED  
HAND-BLOWN RULED GLASS SHAPE.

---

Glass dimension  $\varnothing$  27 cm, h. 23 cm.

Light sources available:

- max 12 watt, 220 V LED (E27 socket)
- 7 watt, LED module - 2700 K (melogranoblu patent).

Metal parts varnished dark grey. Electric cable 2 mt. length coated 09 Dark Grey.





# MAAT

TABLE LAMP

EMERALD GREEN OR FROSTED  
HAND-BLOWN GLASS SHAPE.

Glass dimension  $\varnothing$  23 cm, h. 36 cm.

Light source 7 watt, LED module - 2700 K (melogranoblu patent), dimmer control.  
Metal parts varnished dark grey. Electric cable 2 mt. length coated 09 Dark Grey.



# BES

TABLE LAMP

PURPLE AMETHYST OR FROSTED  
HAND-BLOWN RULED GLASS SHAPE.

Glass dimension  $\varnothing$  27 cm, h. 23 cm.

Light source 7 watt, LED module - 2700 K (melogranoblu patent), dimmer control.

Metal parts varnished dark grey. Electric cable 2 mt. length coated 09 Dark Grey.





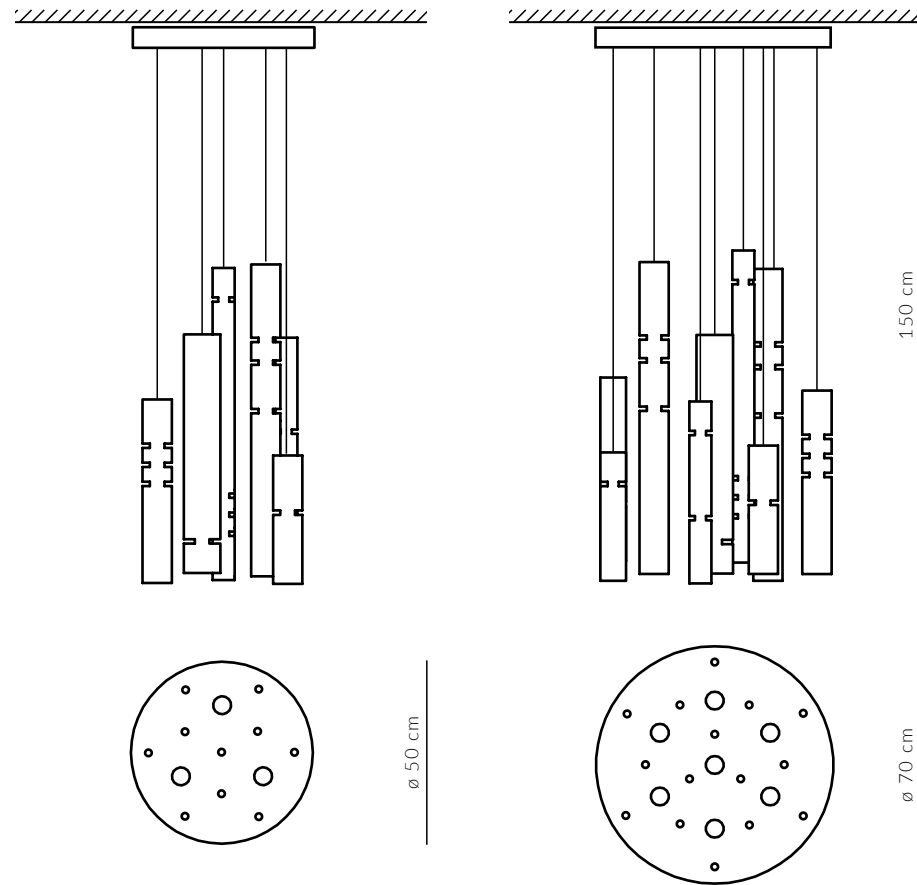


## GOTHAM

LIGHTING STRUCTURES, HIGH IMPACT GLASS PENDANT LAMPS, WHOSE DISTINCTIVE CHARACTER PUTS THEM BEYOND ALL DEFINITIONS. METROPOLITAN STYLE, THE DREAM OF A NOCTURNAL MEGALOPOLIS, WHICH ONLY THE MOST VISIONARY IMAGINATION CAN ENVISAGE. AN IMPRESSIVE DESIGN, SOLID AND REASSURING, ENCHANTS THE GAZE AND THE SENSES.



# GOTHAM



## CHANDELIER

SMALL\_Round metal ceiling  $\varnothing$  50 cm mirror finishing.  
 Light source 3 x 10W power LED dimmable, 2700k optic 10°.  
 10 clear and frosted mixed glass shapes.

LARGE\_Round metal ceiling  $\varnothing$  70 cm mirror finishing.  
 Light source 7 x 10W power LED dimmable, 2700k optic 10°.  
 15 clear and frosted mixed glass shapes.

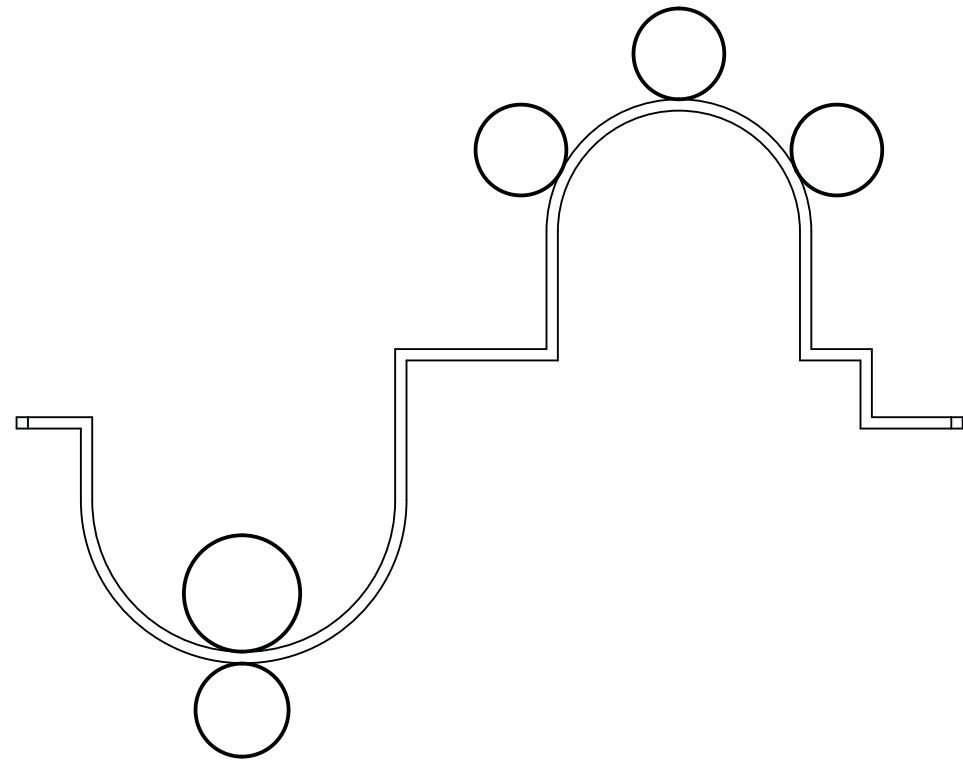




## DIAPASON

VINTAGE SHAPES IN A CONTEMPORARY TRANSPOSITION: A COLLECTION OF SUSPENSION, AND WALL LAMPS INSPIRED BY THE CURVED AND THIN LINES OF THE TUNING FORK. A COMBINATION OF TWO NOBLE MATERIALS: BRUSHED NATURAL BRASS AND FROSTED GLASS. THE CURVES OF THE GLASS AND THE DESIGN OF THE STRUCTURE CREATE SUBTLE BALANCE GAMES. THE DIAPASON COLLECTION IS DESIGNED BY THE DESIGNER GIORGIO SORESSI FOR MELOGRANOBLU.

# DIAPASON A



## CHANDELIER

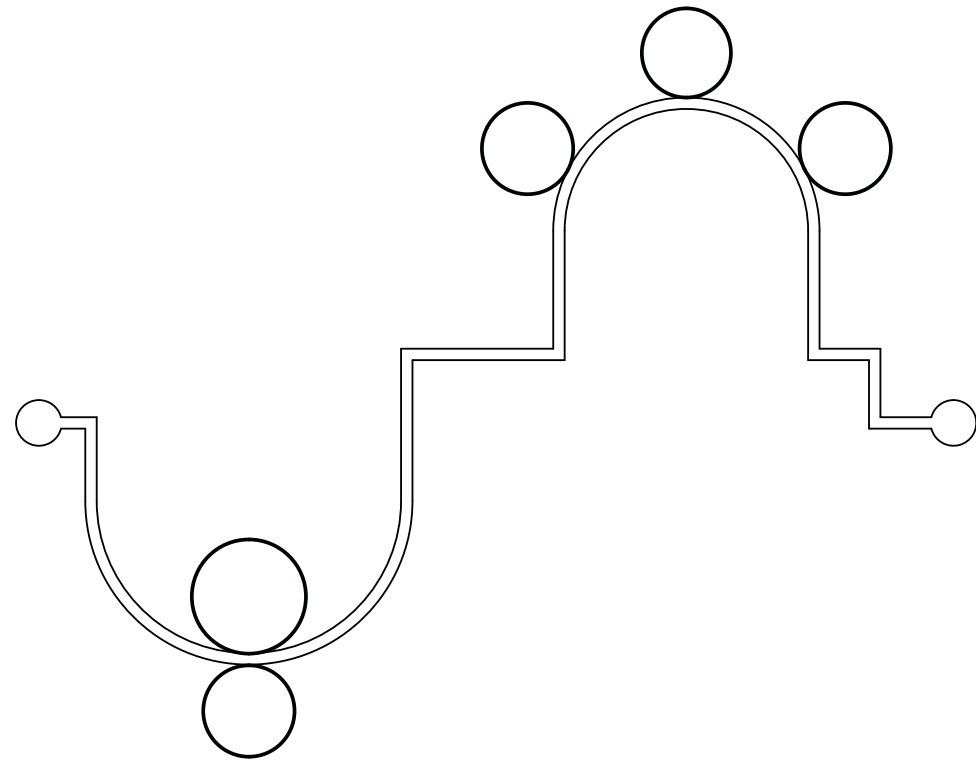
BRUSHED BRASS STRUCTURE WITH FROSTED RULED GLASSES.

Dimension lenght 135 cm, h. 107 cm.

Light source 5 x G9, 220 V, max 6 watt LED. Electric cable 2 mt length black.



# DIAPASON A



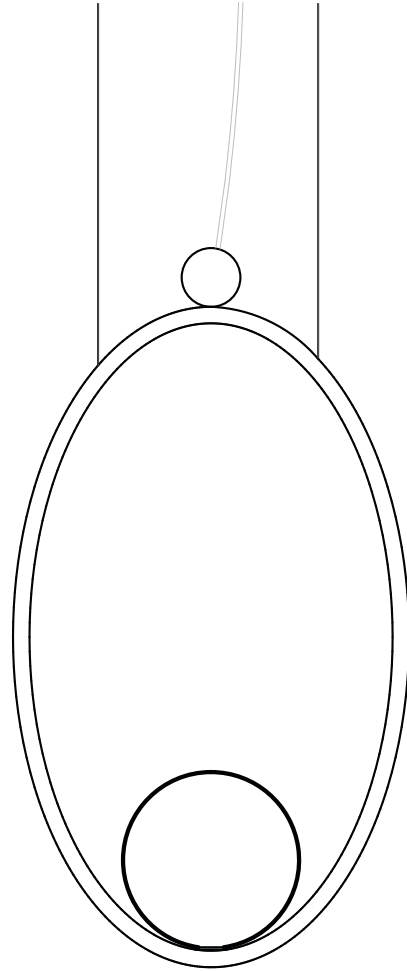
WALL LAMP

BRUSHED BRASS STRUCTURE WITH FROSTED RULED GLASSES.

Dimension lenght 135 cm, h. 107 cm jut 28 cm.  
Light source 5 x G9, 220 V, max 6 watt LED.



# DIAPASON B

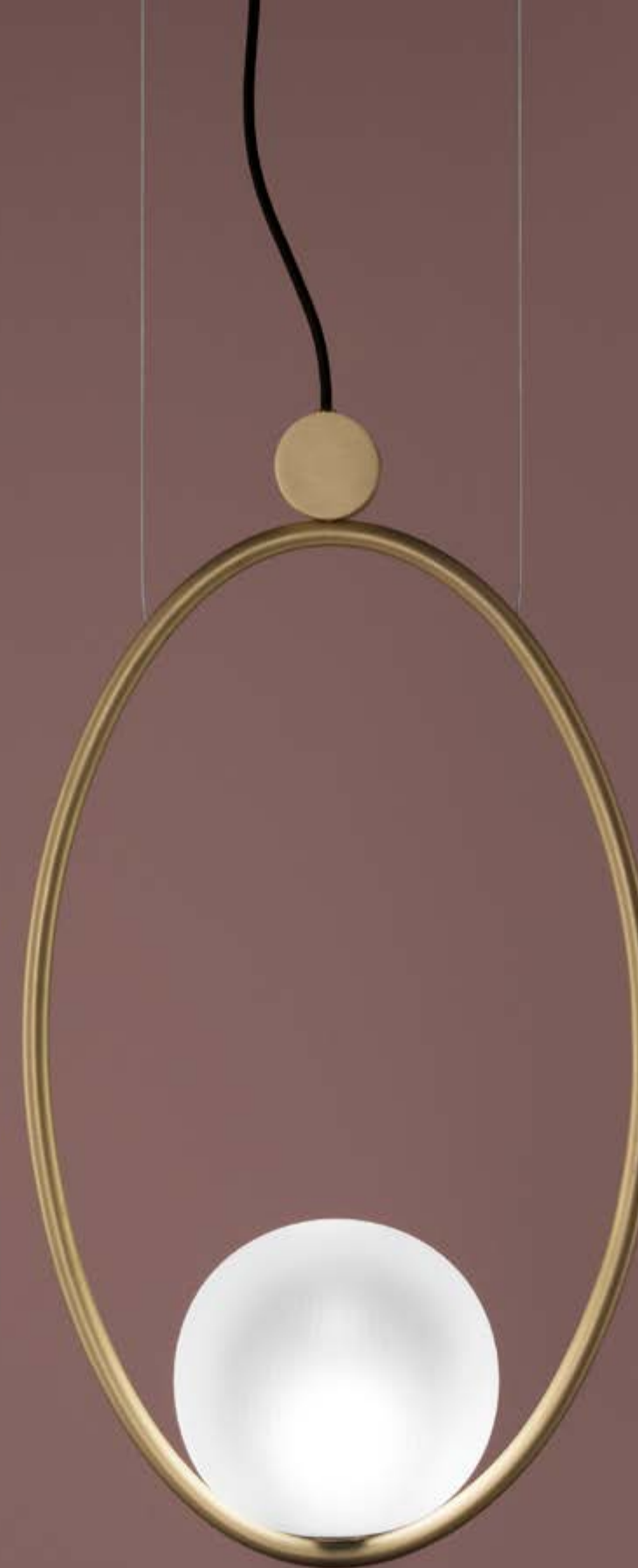


SUSPENSION LAMP

BRUSHED BRASS STRUCTURE WITH FROSTED RULED GLASS.

Dimension width 42 cm, h. 72 cm.

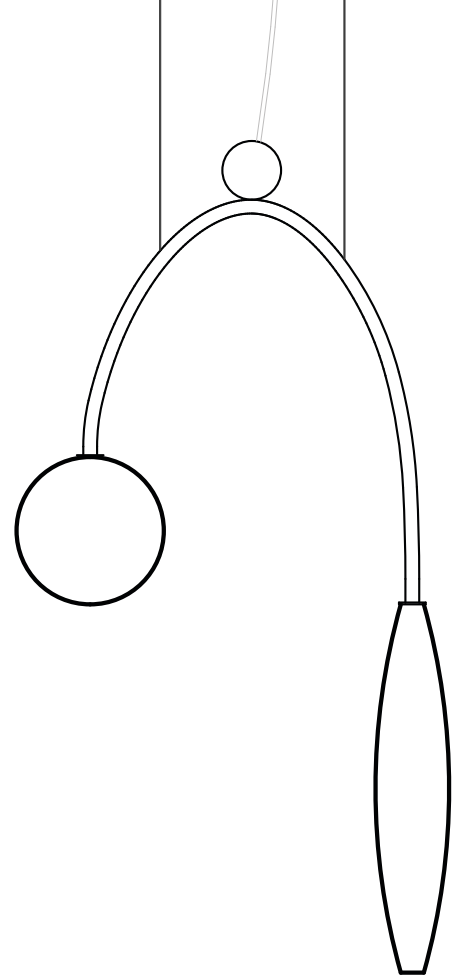
Light source 1 x G9, 220 V, max 6 watt LED. Electric cable 2 mt length black.



Also available in  
wall version.



# DIAPASON C



SUSPENSION LAMP

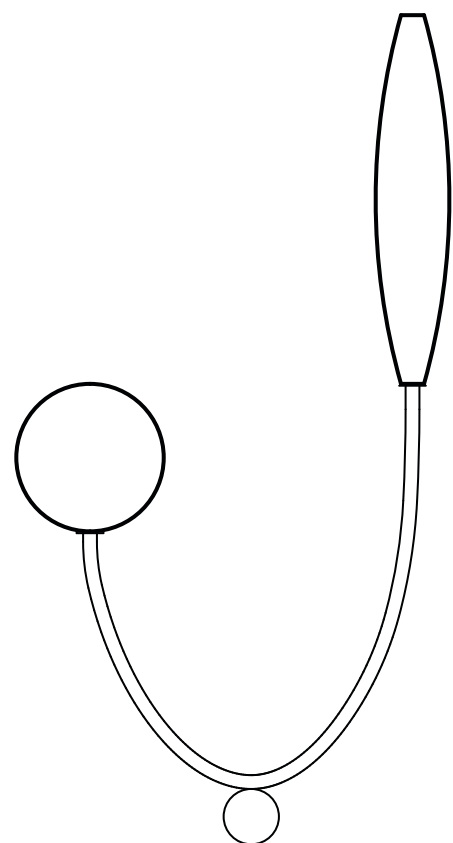
BRUSHED BRASS STRUCTURE WITH FROSTED RULED GLASSES.

Dimension width 60 cm, h. 112 cm.

Light source 2 x G9, 220 V, max 6 watt LED. Electric cable 2 mt length black.



# DIAPASON C



WALL LAMP

BRUSHED BRASS STRUCTURE WITH FROSTED RULED GLASSES.

Dimension width 60 cm, 112 cm.  
Light source 2 x G9, 220 V, max 6 watt LED.





## OPERA

COLLECTION OF DECORATIVE PENDANT LAMPS, OBJECTS RICH IN EVOCATIVE ELEMENTS AND LOADED WITH MEMORIES. ICONIC DESIGNS, CAPABLE OF CREATING "FIN DE SIÈCLE" HINTS AND ATMOSPHERES. UNUSUAL YET FAMILIAR FORMS, REASSURING YET CAPABLE OF ASTONISHING. A CONTEMPORARY CLASSIC, ECLECTIC IN STYLE AND AT THE SAME TIME DISCREET ENOUGH TO SUIT ALL SETTINGS.



OPERA

# TURANDOT



HANGING-LAMP, RULED HAND-BLOWN GLASS TRANSPARENT OR FROSTED WITH 40 CM. LENGTH TASSEL INCLUDED, ALSO AVAILABLE IN WALL VERSION.

Cable 2,00 mt. lenght transparent or coated fabric as per color chart.  
Light source E14. Glass dimension: Large h. 72 - ø 16 cm. | Small h. 50 - ø 14 cm.



OPERA

# CARMEN



HANGING-LAMP, RULED HAND-BLOWN GLASS TRANSPARENT OR FROSTED WITH 40 CM. LENGTH TASSEL INCLUDED, ALSO AVAILABLE IN WALL VERSION.

Cable 2,00 mt. lenght transparent or coated fabric as per color chart.  
Light source E14. Glass dimension: Large h. 56 - ø 16 cm. | Small h. 43 - ø 12 cm.



OPERA

## DROP



HANGING-LAMP, HAND-BLOWN GLASS FROSTED.

Cable 2,00 mt. lenght transparent or coated fabric as per color chart.  
Light source E14. Glass dimension: h. 65 - ø 13 cm.



OPERA

## POSEIDON EGG



HANGING-LAMP, RULED HAND-BLOWN GLASS TRANSPARENT OR FROSTED  
WITH 40 CM. LENGHT TASSEL INCLUDED, ALSO AVAILABLE IN WALL VERSION.

Cable 2,00 mt. lenght transparent or coated fabric as per color chart.  
Light source E14. Glass dimension: h. 35 - ø 23 cm.





OPERA

## POSEIDON GLOBE



HANGING-LAMP, RULED HAND-BLOWN GLASS TRANSPARENT OR FROSTED WITH 40 CM. LENGHT TASSEL INCLUDED, ALSO AVAILABLE IN WALL VERSION.

Cable 2,00 mt. lenght transparent or coated fabric as per color chart.  
Light source E14. Glass dimension: Large ø 23 cm. | Small ø 17 cm.

Also available with glass coral branch not included color Black \_ Ivory \_ Red.



OPERA

## ZUCCA



HANGING-LAMP, RULED HAND-BLOWN GLASS TRANSPARENT OR FROSTED.

Cable 2,00 mt. lenght transparent or coated fabric as per color chart.  
Light source E14. Glass dimension: h. 60 - ø 20 cm.



OPERA

# BAJADERE



HANGING-LAMP, RULED HAND-BLOWN GLASS WITH GLASS PEARLS.

Cable 2,00 mt. lenght transparent or coated fabric as per color chart.

Light source E14. Glass dimension: Small h. 50 - ø 11 cm. | Medium h. 60 ø 13 cm. | Large h. 70 - ø 16 cm.



OPERA

# CALAF



HANGING-LAMP, RULED HAND-BLOWN GLASS TRANSPARENT OR FROSTED WITH 40 CM. LENGHT TASSEL INCLUDED, ALSO AVAILABLE IN WALL VERSION.

Cable 2,00 mt. lenght transparent or coated fabric as per color chart.

Light source E14. Glass dimension: Large h. 67 - ø 18 cm. | Small h. 46 - ø 14 cm.





OPERA

# NINIVE



HANGING-LAMP, RULED HAND-BLOWN GLASS TRANSPARENT OR FROSTED WITH 40 CM. LENGHT TASSEL INCLUDED, ALSO AVAILABLE IN WALL VERSION.

Cable 2,00 mt. lenght transparent or coated fabric as per color chart.

Light source E14. Glass dimension: Large h. 72 - ø 13 cm. | Small h. 43 - ø 11 cm.



OPERA

# TIMUR



HANGING-LAMP, RULED HAND-BLOWN GLASS TRANSPARENT OR FROSTED WITH 40 CM. LENGHT TASSEL INCLUDED, ALSO AVAILABLE IN WALL VERSION.

Cable 2,00 mt. lenght transparent or coated fabric as per color chart.

Light source E14. Glass dimension: Large\_h. 53 - ø 20 cm. | Small\_h. 41 - ø 15 cm.



OPERA

## LIU "A"



HANGING-LAMP, HAND-BLOWN GLASS TRANSPARENT OR FROSTED WITH 40 CM. LENGHT TASSEL INCLUDED, ALSO AVAILABLE IN WALL VERSION.

Cable 2,00 mt. lenght transparent or coated fabric as per color chart.

Light source E14. Glass dimension: h. 60 - ø 18 cm.



OPERA

## LIU "B"



HANGING-LAMP, HAND-BLOWN GLASS TRANSPARENT OR FROSTED WITH 40 CM. LENGHT TASSEL INCLUDED, ALSO AVAILABLE IN WALL VERSION.

Cable 2,00 mt. lenght transparent or coated fabric as per color chart.

Light source E14. Glass dimension: h. 60 - ø 28 cm.

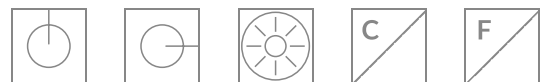


OPERA

## LIU "C"



HANGING-LAMP, HAND-BLOWN GLASS TRANSPARENT OR FROSTED WITH 40 CM. LENGHT TASSEL INCLUDED, ALSO AVAILABLE IN WALL VERSION.  
Cable 2,00 mt. lenght transparent or coated fabric as per color chart.  
Light source E14. Glass dimension: h. 60 - ø 18 cm.



OPERA

## MOON



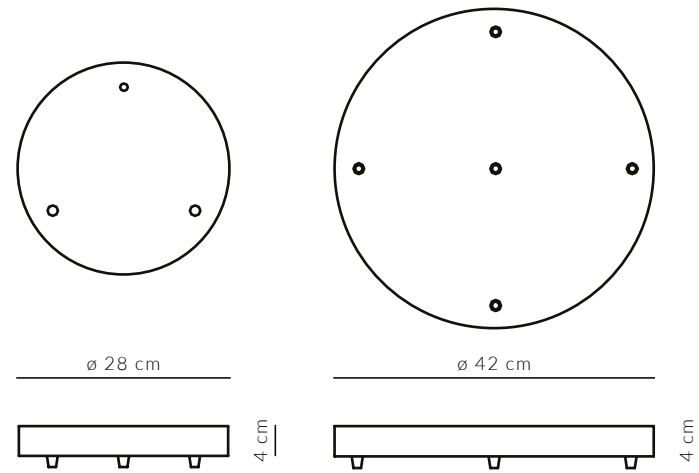
HANGING-LAMP, HAND-BLOWN GLASS FROSTED ALSO AVAILABLE IN WALL VERSION.  
Cable 2,00 mt. lenght transparent or coated fabric as per color chart.  
Light source E14. Glass dimension: h. 30 - ø 5 cm.



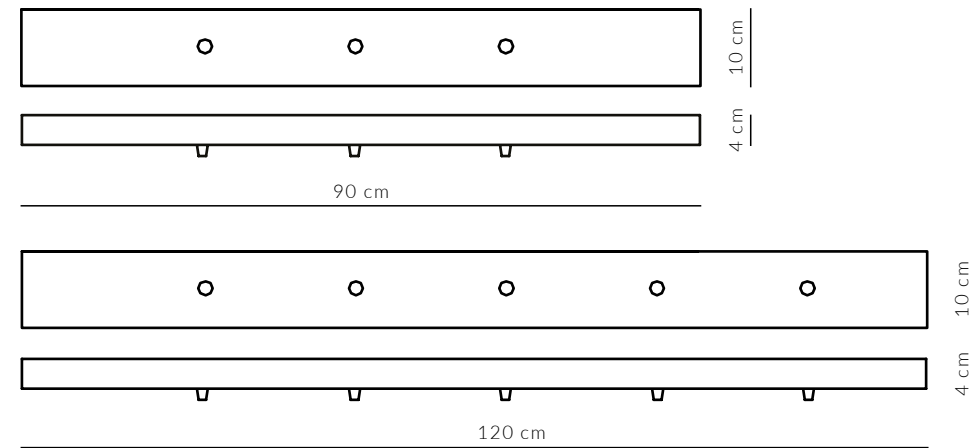


# ACCESSORIES

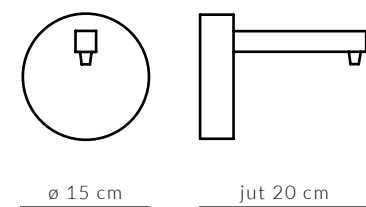
## ROUND WOODEN CEILING LIGHTS MOUNT



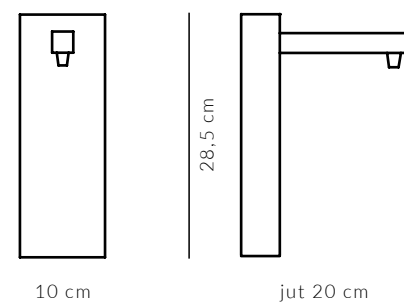
## RECTANGULAR WOODEN CEILING LIGHTS MOUNT



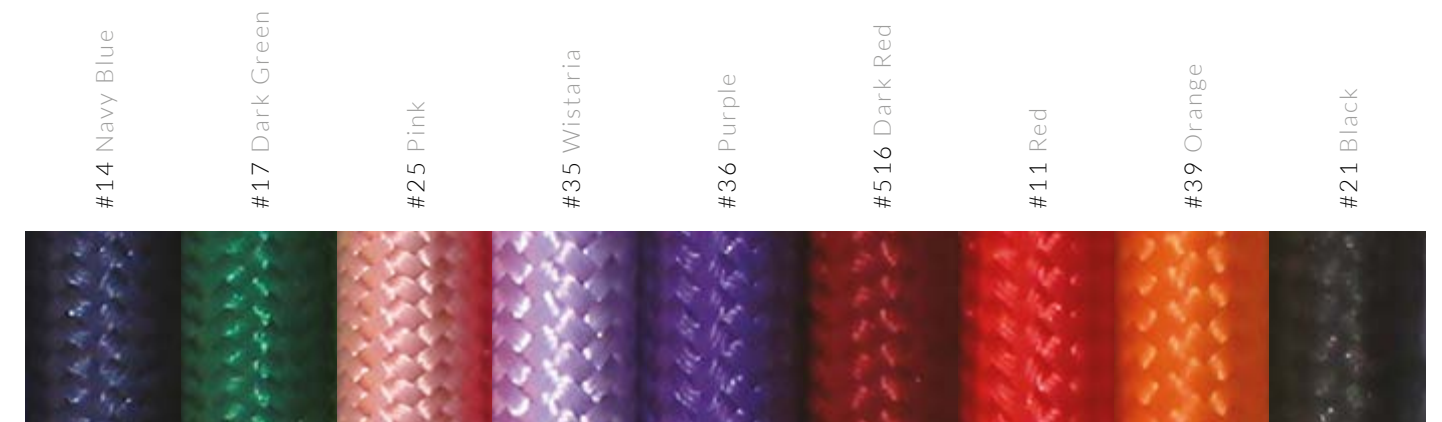
## ROUND WOODEN BRACKET



## RECTANGULAR WOODEN BRACKET



# TASSELS AND CABLES



Colors in this catalogue may lightly vary because of printing.  
 melogranoblu reserve the right to modify products and colors, without notice,  
 in order to make technical improvements.

# CREDITS

## COPYRIGHT

© 2019 by melogranoblu srl

---

## PHOTO

SILVIO SALVADOR

## CATALOGUE DESIGN

BABOL COMMUNICATION  
[www.babolcommunication.com](http://www.babolcommunication.com)

# melogranoblu

Via Boschetti, 87

24050 Grassobbio

Bergamo \_ Italy

Ph +39 035 4522451

[sales@melogranoblu.com](mailto:sales@melogranoblu.com)

[www.melogranoblu.com](http://www.melogranoblu.com)

